

EDCON-COMPONENTS



Technical Discription

Temperature Range: ABS= -40°C ~ +85°C
 PC= -40°C ~ +120°C
 Protection Degree IP66-67
 Screw Type Enclosure

EDCON Product material is resistance to flame

This Box has 20Pos. Terminal Block.

Easy to work because boxes are separable from terminal block



**Terminal Box Waterproof
100x230x70mm**

Part No.: **H19018**

Customer:

DRW:	Jason	CHKD	Wilson	MATL:	Wilson	TOLERANCE	Mason	DATE	12.02.2010
APPD:	Schumi			FINISH	Jamy		Sheet No.	1 from 3	

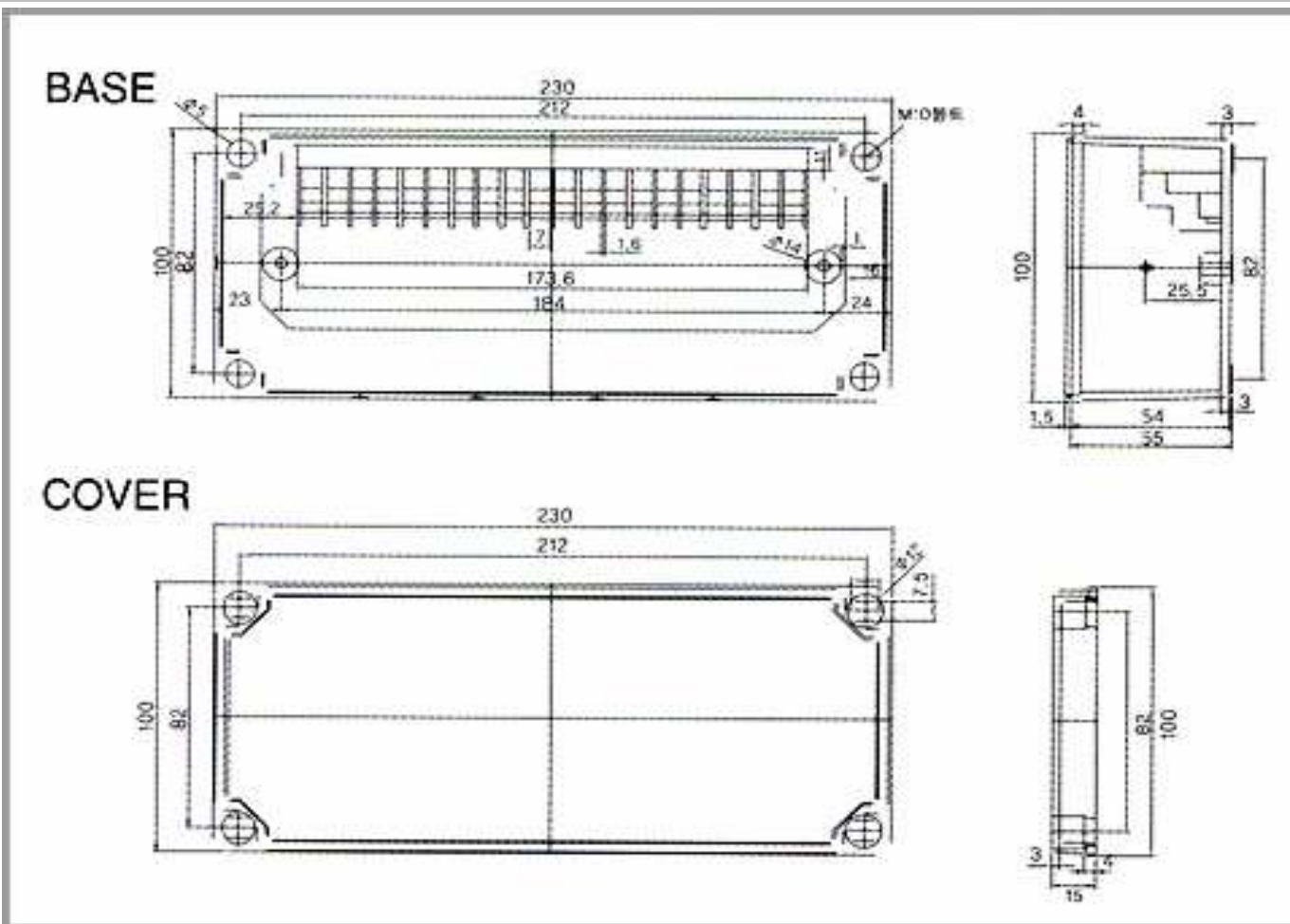
www.edcon-components.com

email: info@edcon-components.com

EDCON-COMPONENTS



Technical Drawing



**Terminal Box Waterproof
100x230x70mm**

Part No.: **H19018**

DRW:	Jason	CHKD	Wilson	MATL:	Wilson	TOLERANCE	Mason	DATE	12.02.2010
APPD:	Schumi			FINISH	Jamy		Sheet No.	2 from 3	Customer:

www.edcon-components.com

email: info@edcon-components.com

EDCON-COMPONENTS



Ordering Informations

Serie	Material Base	ROHS	Packing							
-------	---------------	------	---------	--	--	--	--	--	--	--

H19018	AB	R	S							
---------------	-----------	----------	----------	--	--	--	--	--	--	--

AB= ABS (Blue-Gray)	R= ROHS Conform	S= Standard Packing
AG= ABS (Gray)	N= NON ROHS Conform	I= Individual Packing
PB= PC Beige		

Terminal Box Waterproof 100x230x70mm
Part No.: H19018
Customer:

DRW:	Jason	CHKD	Wilson	MATL:	Wilson	TOLERANCE	Mason	DATE	12.02.2010
APPD:	Schumi			FINISH	Jamy		Sheet No.		3 from 3

www.edcon-components.com

email: info@edcon-components.com